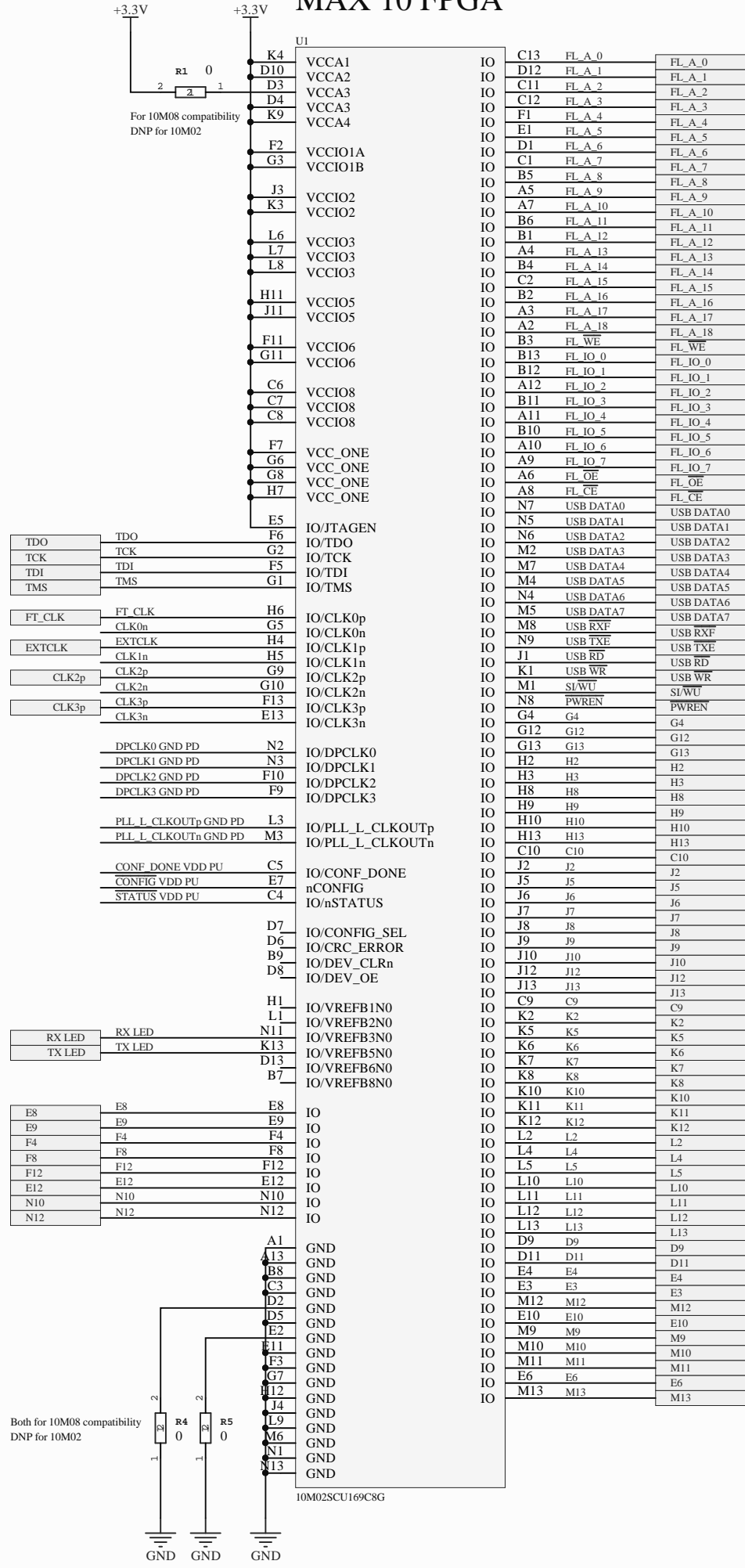
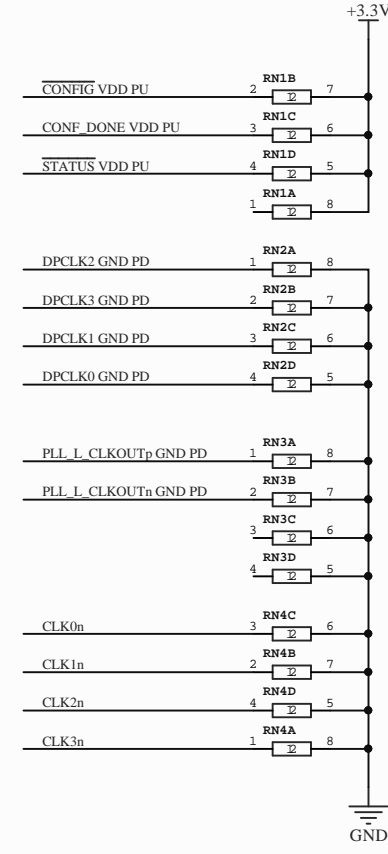


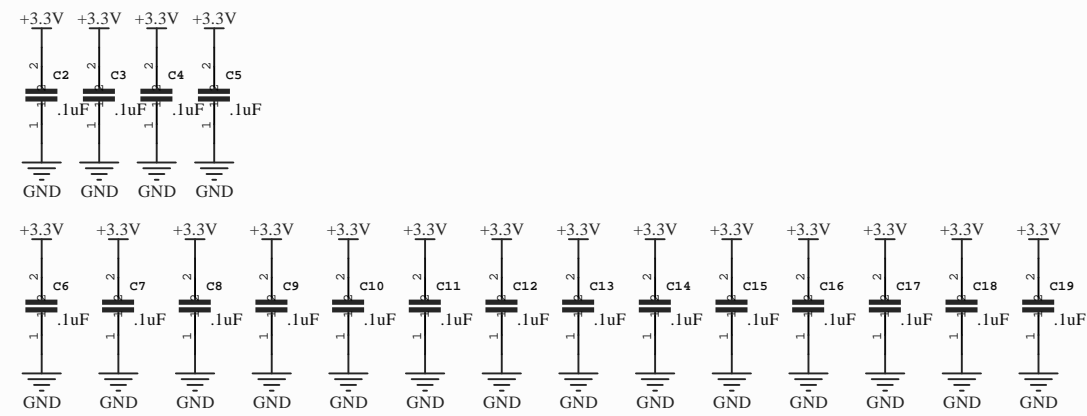
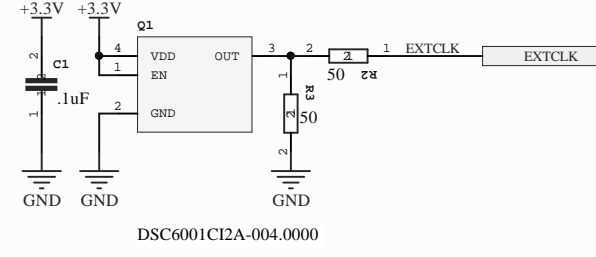
# MAX 10 FPGA



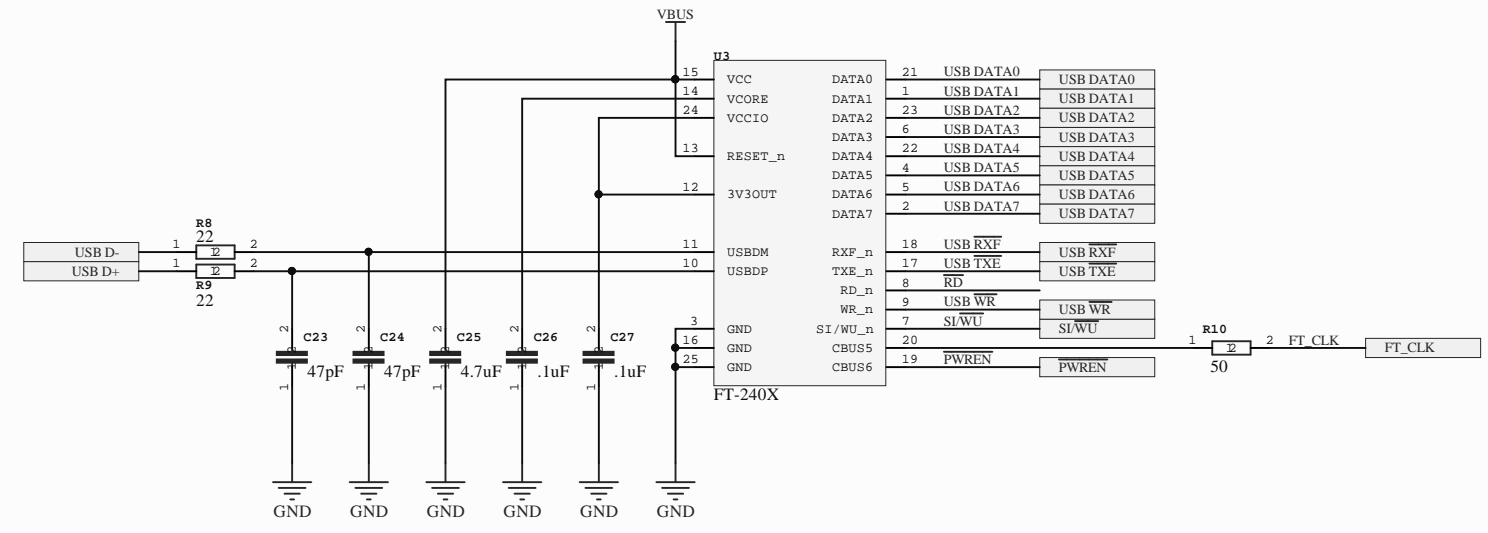
## Unused special pins set to defaults



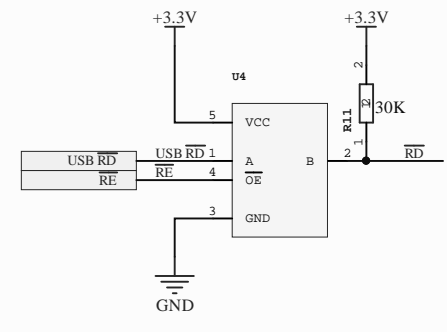
## 4MHz Oscillator



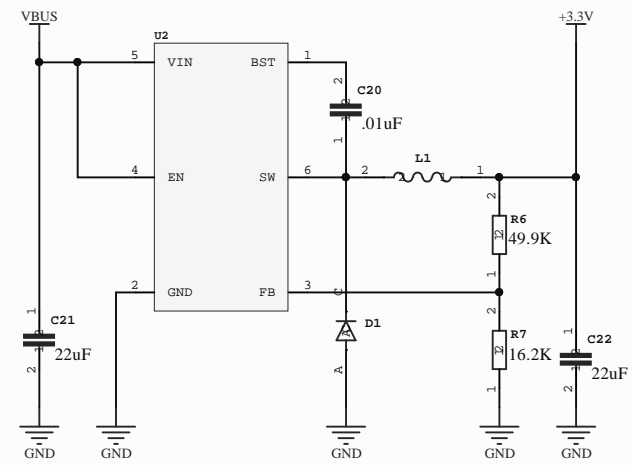
### USB to FIFO bridge



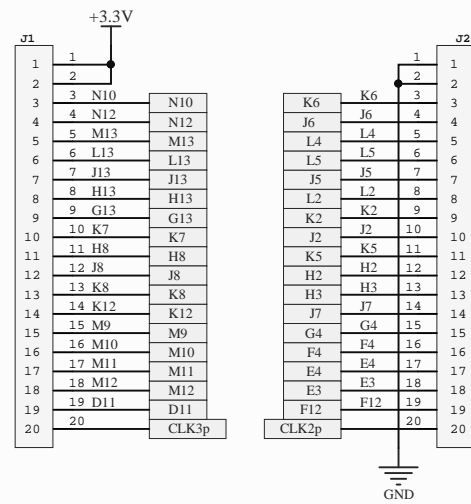
### USB read strobe bus switch



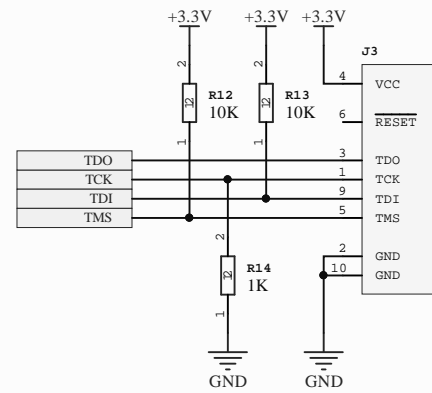
### 3.3V Regulator



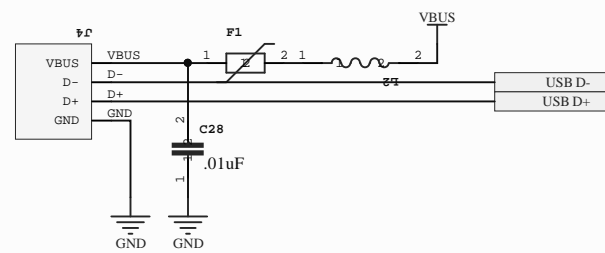
## Breadboard Connections



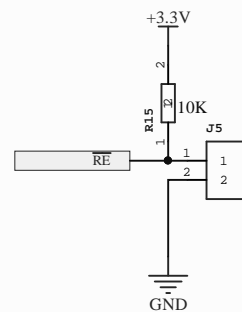
## JTAG Header



## USB Connector

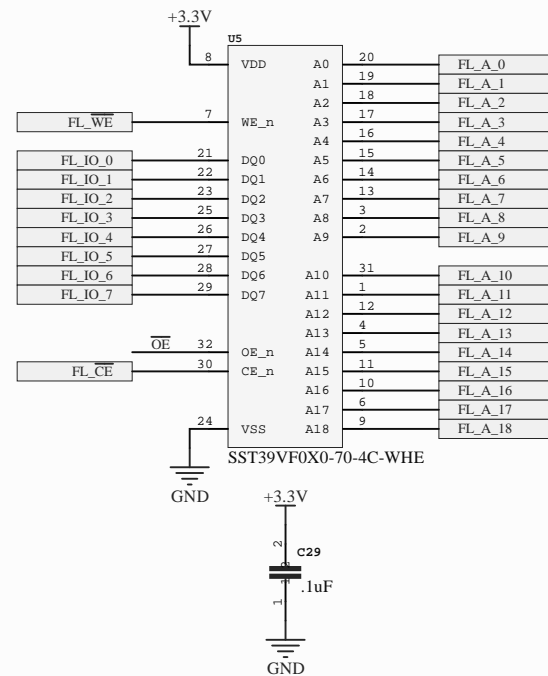


## Read strobe enable jumper

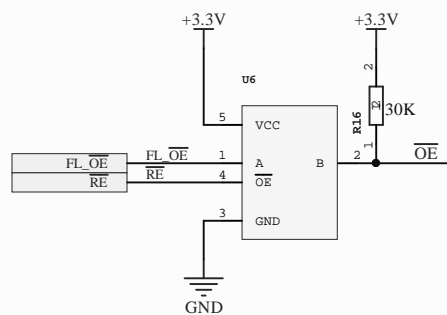


Title <b>Connectors</b>			Out of the Box * * *	
Size: A3	Number:*	Revision:1.1		
Date: 4/29/2019	Time: 1:36:12 PM	Sheet* of *		

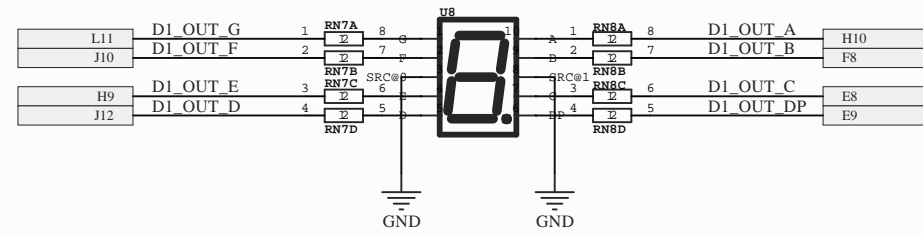
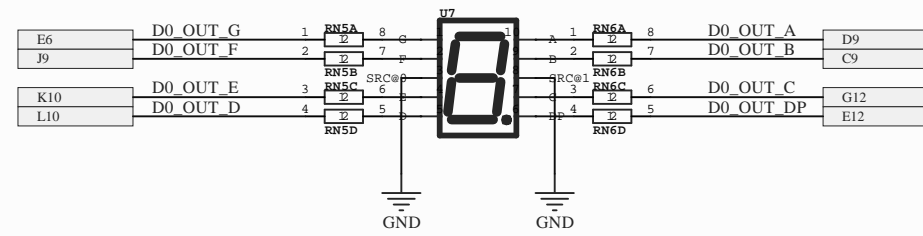
### Flash ROM



### Flash read strobe bus switch



### Seven segment displays



### LEDs

